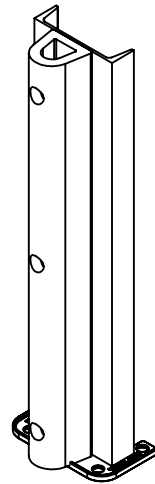
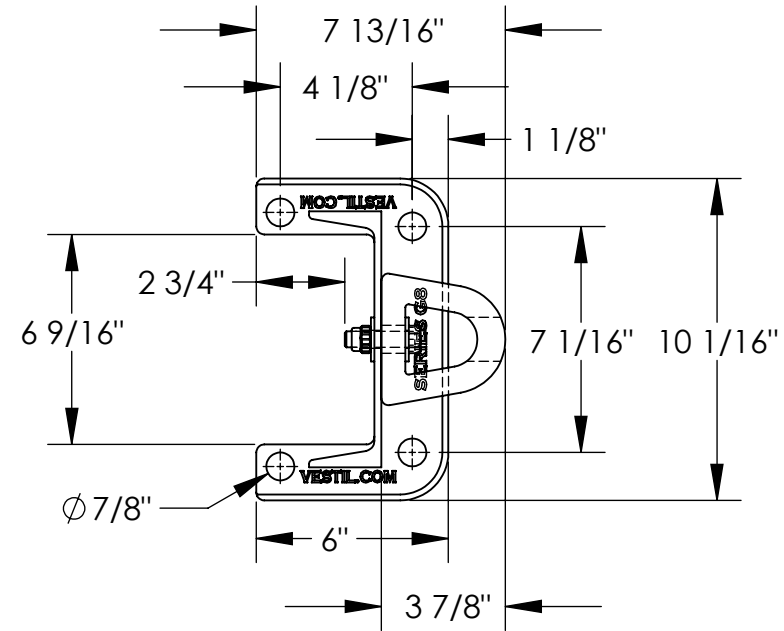
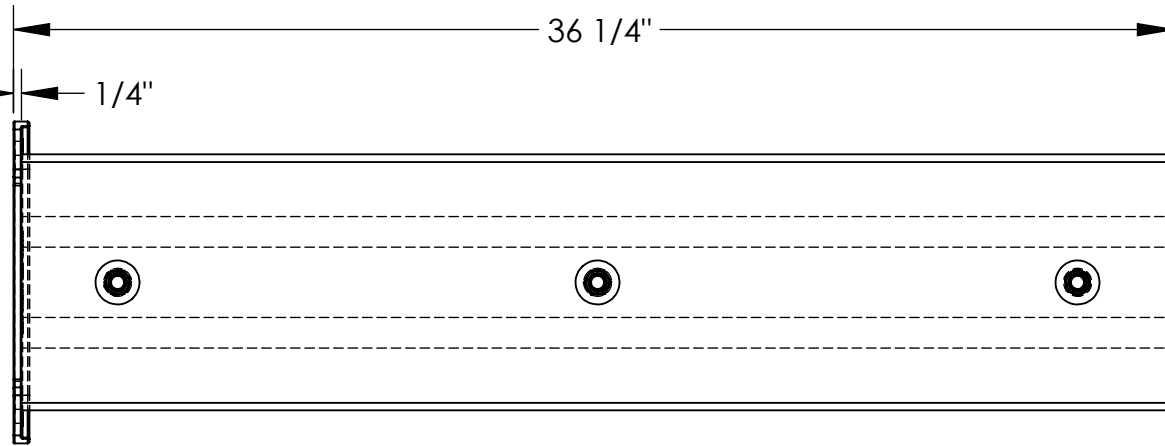


STRUCTURAL RACK GUARD WITH BUMPER - G8-36-B

APPROX WEIGHT: 48.97 lbs.
 DOES NOT INCLUDE WEIGHT OF POWER OR PACKAGING!!!

*** ANY ADDITIONS, DELETIONS, OR OMISSIONS MUST BE CORRECTED ON THIS DRAWING AS THIS DRAWING WILL BE CONSIDERED ALL INCLUSIVE ***

ALL GRAPHICS PROVIDED ARE FOR REFERENCE ONLY. IF CERTAIN DIMENSIONS ARE CRITICAL PLEASE VERIFY THOSE DIMENSIONS WITH YOUR SALESPERSON



3D VIEW SCALE 1:14

STANDARD FEATURES

- MODEL NUMBER: G8-36-B
- OVERALL LENGTH: 7 13/16"
- OVERALL WIDTH: 10 1/16"
- OVERALL HEIGHT: 36 1/4"
- USABLE WIDTH: 6 9/16"
- CLEARANCE LENGTH: 2 3/4"
- PLATE THICKNESS: 1/4"
- (4) Ø 7/8 HOLES
- FOR 3/4" DIA LAGS
- GUARD IS TOUGH BAKED IN POWDER COATED YELLOW FINISH
- BUMPER COLOR: BLACK

SPECIAL FEATURES

NONE

DIMENSION TOLERANCE ± 1/2"

APPROVAL	I, THE UNDERSIGNED, AGREE THAT THE PRODUCT AS REPRESENTED SATISFIES DESIGN AND DIMENSION REQUIREMENTS. I ALSO ACKNOWLEDGE MY DUTY TO CONFIRM PRODUCT AND INSTALLATION COMPLIANCE WITH ALL APPLICABLE FEDERAL, STATE AND LOCAL REGULATIONS AND STANDARDS.	
	ANY MODIFIED UNITS ARE NON-RETURNABLE	
	[] As drawn [] As marked	
	Signed: _____	Date: _____
Printed Name: _____		
LEAD TIME WILL START UPON RECEIPT OF SIGNED APPROVAL DRAWING		

FOR INTERNAL USE ONLY PROJECT SIGN OFF	
SALES	
ENG.	
FAB.	
POWER	

DISTRIBUTOR'S NAME:		P.O.#
VESTIL MANUFACTURING		X
		W.O.#
DRAWN BY: QW	DATE: 8/10/2006	SALES: X
REFERENCE: X	SCALE: 1:6	FILE NAME:
QUOTED LEAD TIME: X	QUOTE # X	23-007-126